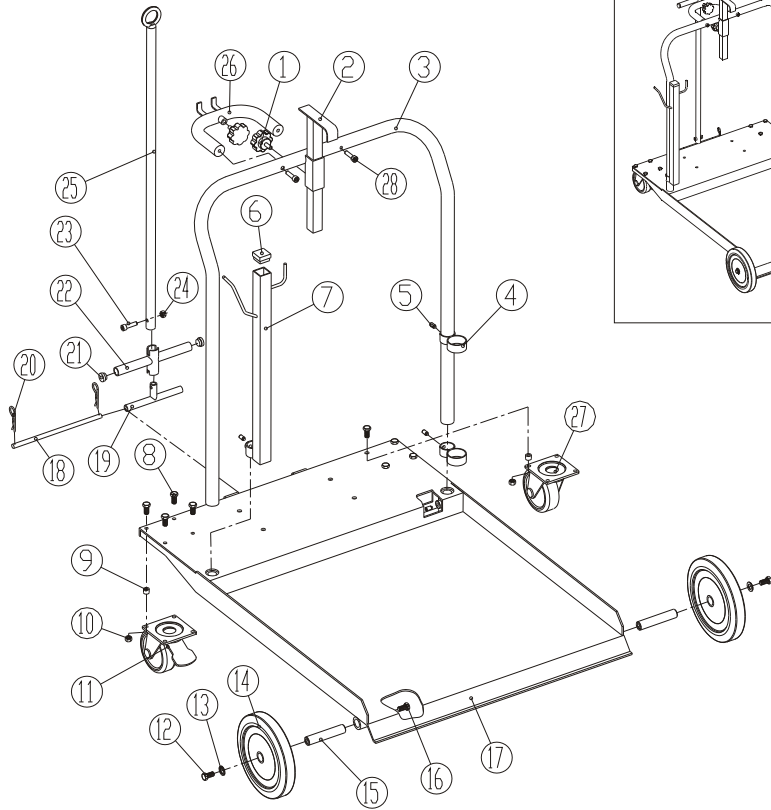
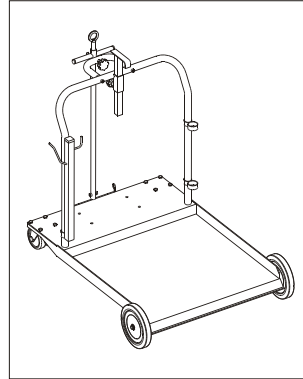


Drum Application: 180-220kgs/400lbs



Parts List

Code	Name	Quantity
1	Accessories	1
2	Drum holder Support	1
3	Handle	1
4	Pump support	2
5	Hexagon Screw Set	3
6	Stopper	1
7	Accessories Support	1
8	Hexagon Bolt	8
9	Washer	8
10	Nut	8
11	Wheel with brake	1
12	Hexagon Bolt	2
13	Washer	2
14	Wheel	2

Code	Name	Quantity
15	Axle	2
16	Hexagon Bolt	2
17	Trolley Top	1
18	Joint Pin	1
19	Handle Joint	1
20	Hairpin Clip	2
21	Stopper	2
22	Handle Grip	1
23	Hexagon head screw	1
24	Nut	1
25	Movable Handle	1
26	Handle Support	1
27	Wheel without brake	1
28	Hexagon head screw	2

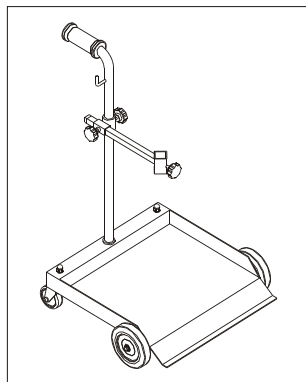
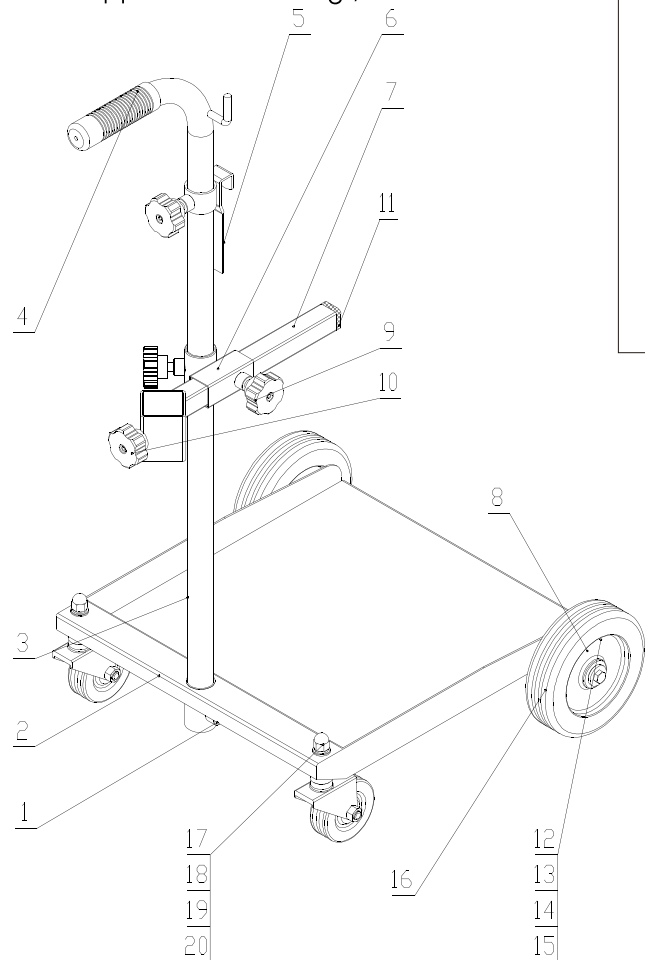


LEADERS IN FLUID TRANSFER SOLUTIONS

TROLLEY



Drum Application: 20-60kgs/120lbs

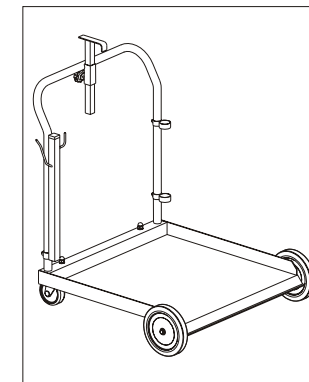
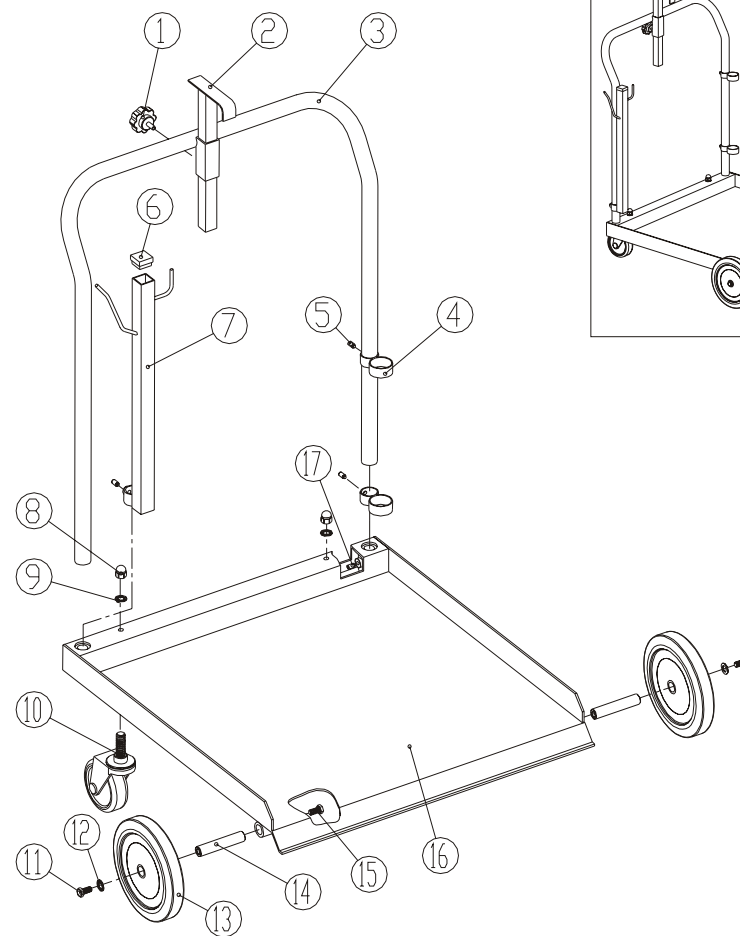


Parts List

Code	Name	Quantity
1	Screw	1
2	Trolley Top	1
3	Handle	1
4	Handle Cover	1
5	Drum Support	1
6	Adjustable Cover	1
7	Adjustable Pole	1
8	Hexagon Bolt	2
9	Handle Wheel	3
10	Accessory	1

Code	Name	Quantity
11	Blocker	1
12	M6 Bolt	2
13	Washer	2
14	M8 Bolt	2
15	Washer	2
16	Wheel	2
17	Swivelling Wheel	2
18	Acorn Nut	2
19	Washer	2
20	Washer	2

Drum Application: 180-220kgs/400lbs



Parts List

Code	Name	Quantity
1	Accessories	1
2	Drum holder support	1
3	Handle	1
4	Pump support	2
5	Hexagon Screw Set	3
6	Stopper	1
7	Accessories support	1
8	Acorn nut	2
9	Washer	2

Code	Name	Quantity
10	A Swivelling wheel	2
11	Hexagon Bolt	2
12	Washer	2
13	Wheel	2
14	Axle	2
15	Hexagon Bolt	2
16	Trolley Top	1
17	Hexagon Screw Set	2