

# DITILYJ40

## Product Introduction

LYJ-40 Filter Cart is a new generation oil purification equipment developed by our company. This machine is easy to operate and reliable to use. It is suitable for various hydraulic system, lubrication system, cooling system, static pressure system media (a variety of hydraulic oil, lubricating oil, cooling liquid) filtration, purification, can also be used for refueling or low pressure line system cleaning.



## Model Code

LYJ□-□40X\*

LYJ-40 Filter Cart

Omit: Hydraulic oil

BH: Water-glycol

Omit: Paper Q: Fiber glass W: Wire mesh

Nominal flow rate L/min

L/min: 40、63、100

Filtration rating  $\mu\text{m}$ : 3,5,10,20

## Technical Data

Model	( bar ) Initial resistance	( KW/V ) Motor power/voltage	Model of rough filter element	Model of the main filter element	
LYJ-40X*	$\leq 0.2$	1.5/AC380V	RF-110*150	LYJX-*BN	
( L/min ) Nominal flow rate	Total weight	Drift diameter	Element replacement differential pressure	The system rated pressure	Filtration rating
40	130Kg	(Inlet) Dn32 (Outlet) Dn25	0.35Mpa	$\leq 0.6\text{Mpa}$	3、5、10、20



\* represents filtration rating.

(  $\mu\text{m}$  ) : Optional 3、5、10、20...

$\beta \times (c)$  Optional 75,100,200,1000

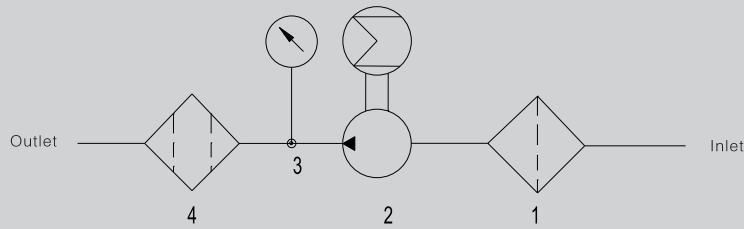
ISO16889 in accordance with ISO16889

Working voltage can choose AC 220V, for details, please contact us.



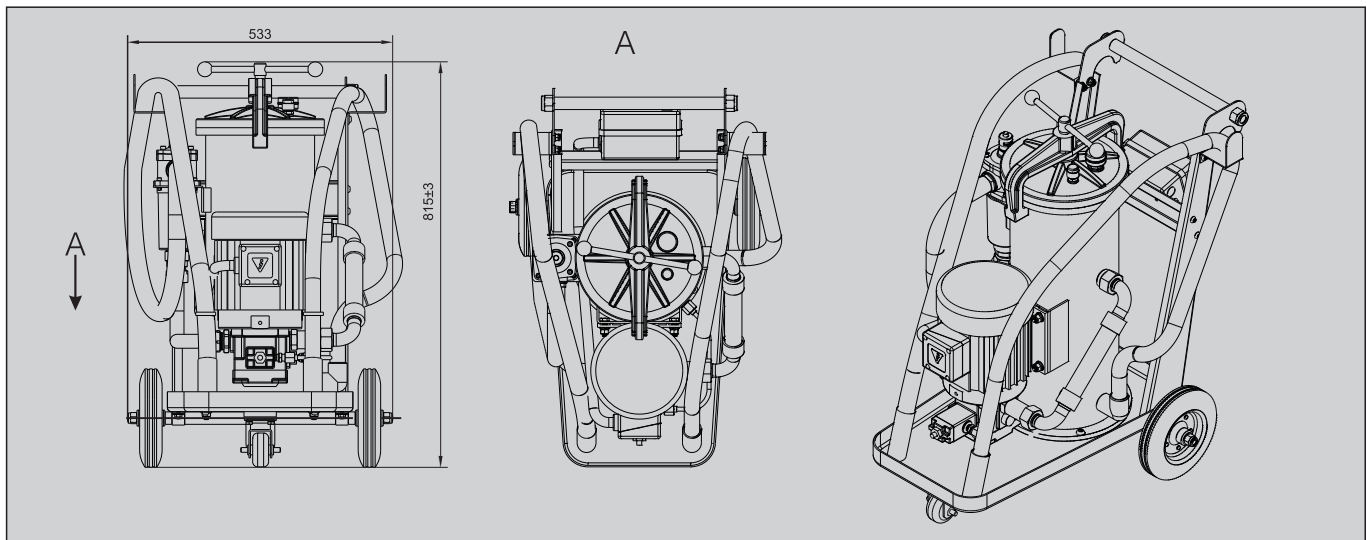
## Working principle & overall dimension

LYJ-40



- 1 Magnetic suction filter
- 2 The pump group
- 3 The system pressure gauge
- 4 The fine filter

Working principle



Overall dimension

### Usage & Maintenance:

Note:

- 1) Before turning on the power supply, make sure if the power supply voltage is consistent with the requirements.
- 2) After start-up, if abnormal vibration and noise found, please process according to Troubleshooting List .
- 3) Regularly check if the electronic control switch and cable are normal.