
AIR OPERATED WASTE OIL DRAINER



Item# 1620650 / 1620900 / 1620901
(AOD Series)

⚠ WARNING

Read carefully and understand all INSTRUCTIONS before operating. Failure to follow the safety rules and other basic safety precautions may result in serious personal injury. Save these instructions in a safe place and on hand so that they can be read when required. Keep these instructions to assist in future servicing.

⚠ SAFETY PRECAUTIONS

GENERAL SAFETY RULES

WARNING: Read and understand all instructions.

WARNING: The warnings, cautions, and instructions discussed in this instruction manual cannot cover all possible conditions or situations that could occur. It must be understood by the operator that common sense and caution are factors which cannot be built into this product, but must be supplied by the operator.

⚠ WARNING

- Do not extract caustic or flammable products
- Do not expose the reservoir to any source of heat
- While extracting high temperature oils, keep hands and face protected
- Only use the device for the purpose for which it has been designed
- Do not modify any component of the equipment
- Only use original spare parts
- Our technical office is at your full disposal for any information you may need

PRODUCT DATA

Item No.	16206505	16206507	16209009	16209011
Air inlet	1/4"quick plug	1/4"quick plug	1/4"quick plug	1/4"quick plug
Extension funnel	No	Yes	No	Yes
Capacity	65L/17Gal	65L/17Gal	90L/24Gal	90L/24Gal

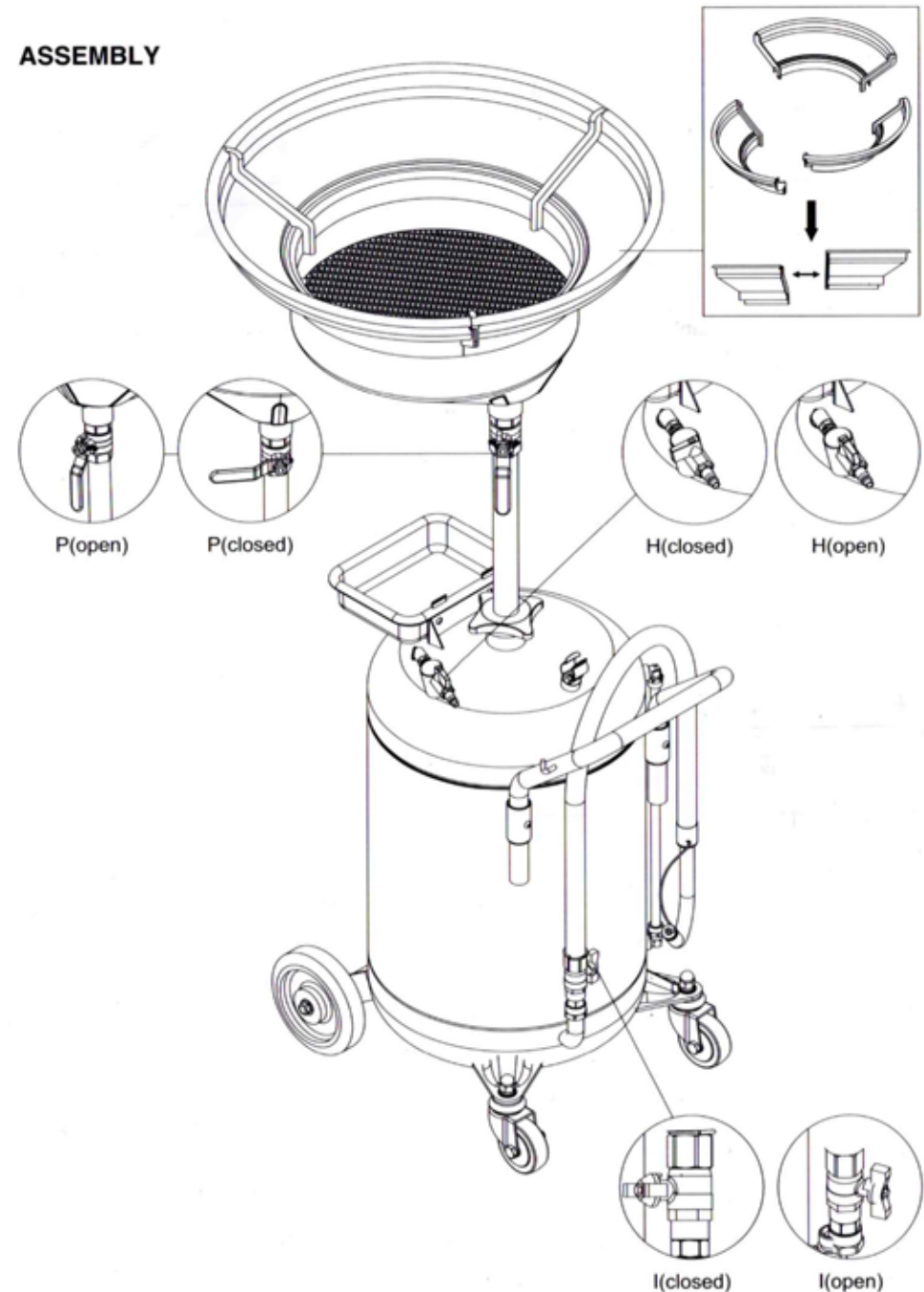
Item No.	16206506	16206508	16209010	16209012
Air inlet	1/4"NPT	1/4"NPT	1/4"NPT	1/4"NPT
Extension funnel	No	Yes	No	Yes
Capacity	65L/17Gal	65L/17Gal	90L/24Gal	90L/24Gal

- Max draining pressure: 1 bar/14.5psi
- Draining hose length: 2000mm/78.7"
- Collection bowl capacity: 18L/4.8Gal
- Extension funnel diameter: 606mm/23.8"

⚠ CAUTION

- Never fill the reservoir over the maximum level indicated by the gauge that is located on the side of the reservoir.
- Don't exceed maximum pressure 1bar/14.5psi for draining.
- Open the bottom nut of the reservoir termly and clean out any dirty to avoid jam.

ASSEMBLY



ASSEMBLY

Fig.1: Insert the tube(N) into the reservoir, then turn the handwheel(O) clockwise direction and tighten.

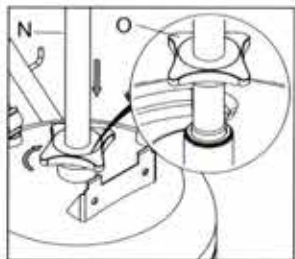


Fig.2: Assemble the handle(B) and the air inlet fitting, turn off the ball valve(H).

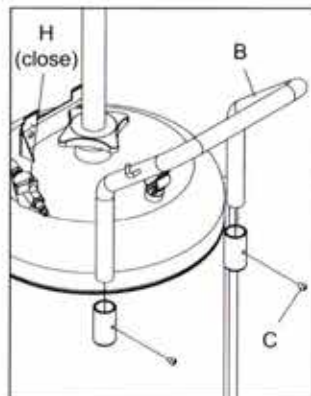
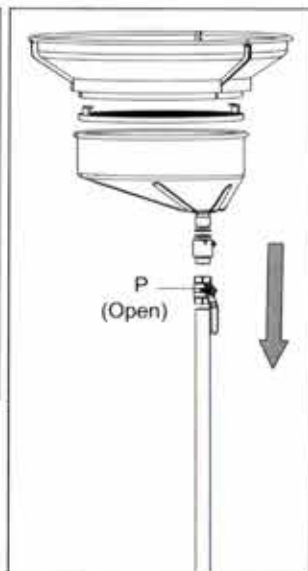


Fig.3: Assemble the supporting tube, ball valve (P), oil collecting bowl, filtering plank and extension funnel orderly.



OPERATION COLLECTING

Fig.4: Close all the valves (P, H, I). Turn on the valve(H) and the valve(P).

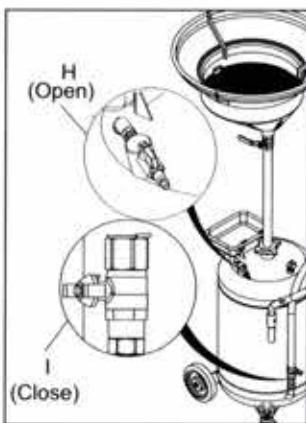
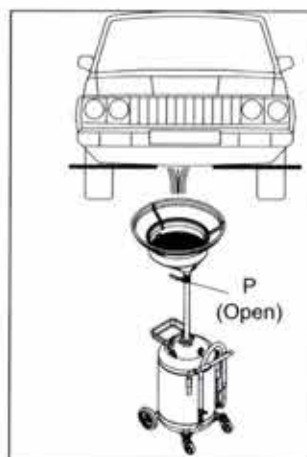


Fig.5: Place the oil drainer under the car to collect the waste oil. Turn on the valve(P).



DRAINING

Fig.6: Close all the valves (P, H, I), put the spout (M) into the waste oil tank, then open the valve (I).

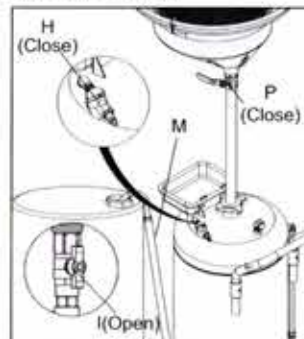


Fig. 7: Connect the air supply.

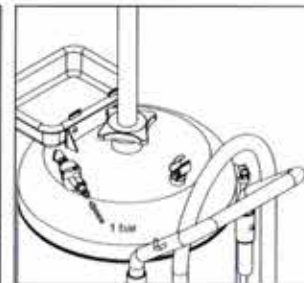
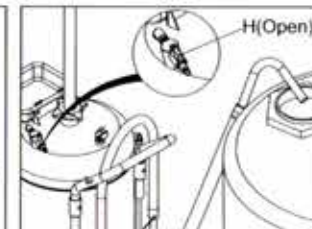


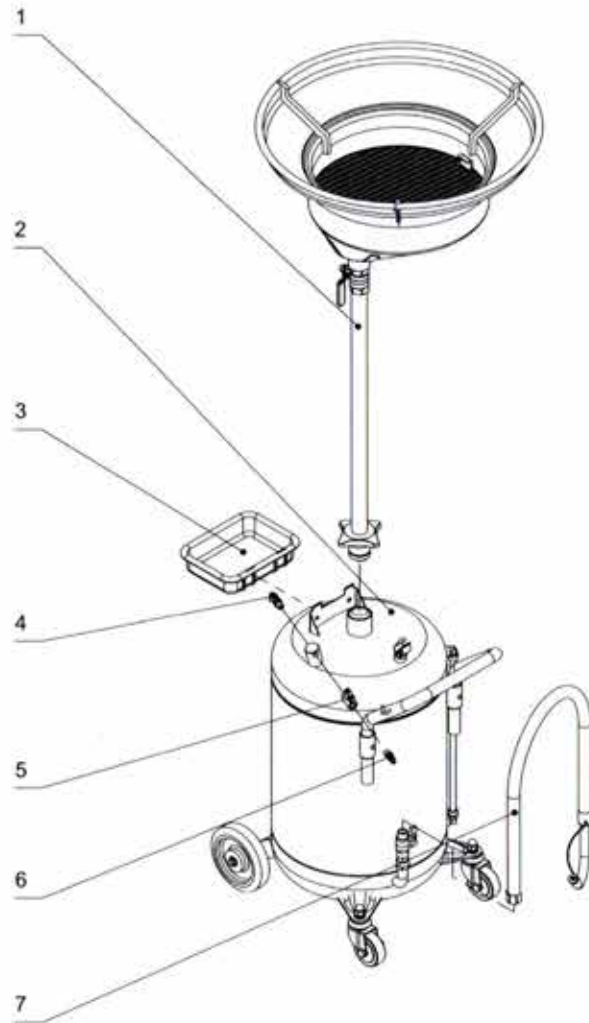
Fig.8: Open the valve (H) for draining.



LIMITED WARRANTY

- The manufacturer warrants this product against defects in material and craftsmanship, for a period of one year from date of purchase, but not including wearing parts.
- Manufacturer's liability is limited to replacement or repair of defective material within the warranty period.
- The warranty does not cover damage caused by accident, misuse or faulty installation.
- The product must be installed and maintained in compliance with the instructions.

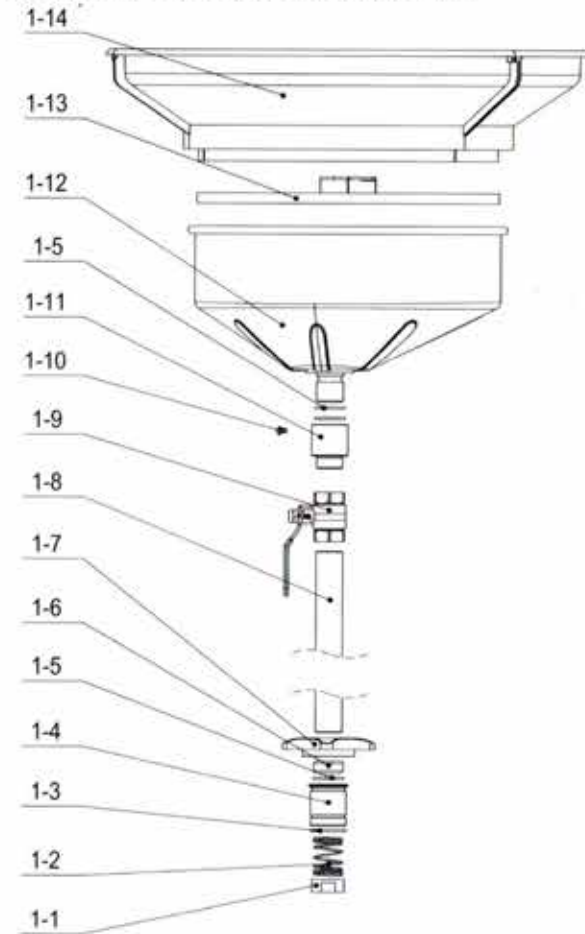
EXPLODED & PART LIST



Part No.	Description	Q'ty	Part No.	Description	Q'ty
1	Oil collecting bowl assembly	1	5	Ball valve	1
2	Reservoir	1	6	Quick plug	1
3	Tool tray	1	7	Discharging hose assembly	1
4	Safety valve	1			

#: Optional accessories
*: Wearing parts

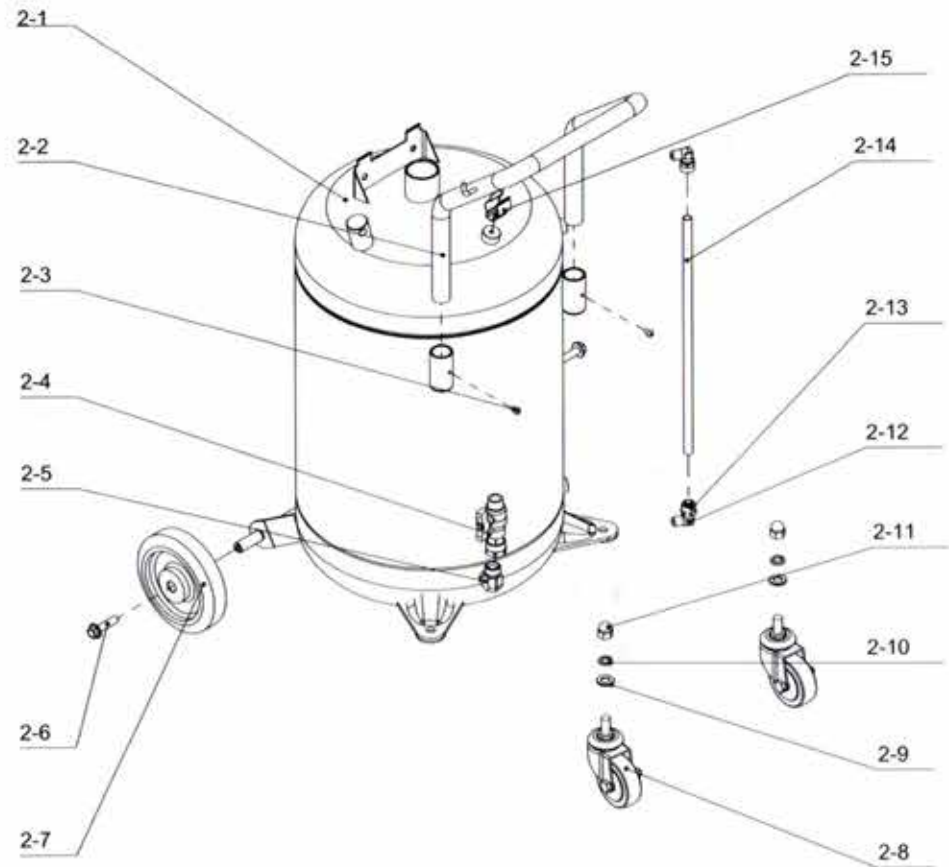
OIL COLLECTING BOWL ASSEMBLY & PART LIST



Part No.	Description	Q'ty	Part No.	Description	Q'ty
1-1	Check nut	1	1-8	Supporting tube	1
1-2	Compression spring	1	*1-9	Ball valve	1
*1-3	O-ring	2	1-10	Nut	1
1-4	Sealing bush	1	1-11	Retainer sleeve	1
*1-5	O-ring	4	1-12	Oil collecting bowl	1
1-6	Expansion cover	1	1-13	Filtrating plank	1
1-7	Handwheel	1	#1-14	Extention funnel	1

#: Optional accessories
*: Wearing parts

RESERVOIR & PART LIST



Part No.	Description	Q'ty	Part No.	Description	Q'ty
2-1	Reservoir assembly	1	2-9	Spring washer	2
2-2	Handle	1	2-10	Gasket	2
2-3	Screw	3	2-11	Nuts	2
2-4	Butterfly valve	1	2-12	Elbow	2
2-5	Swivel fitting	1	2-13	Nut	2
2-6	Bolts	2	2-14	Tube with lable	1
2-7	Wheel	2	2-15	Clip	1
2-8	Caster	2			

#: Optional accessories
 *: Wearing parts

3.02.01.124
 2015/01